



DIRICKX
ANTI-CORROSION
GUARANTEE
10 YEARS
POLYESTER

DIRICKX
ANTI-CORROSION
GUARANTEE
PROTECT+

A post with reinforcement suitable for small-fold panels

POSTS FOR PANEL FENCING

AXOR® PLUS SLOTTED POST

ADAPTABILITY

- Suitable for all terrains: curved, angled or sloping premises.
- Wide range of possible configurations: long embedding, short embedding, on welded or sleeve plate, welded angled plate.
- It is possible to use a reinforcement (upon initial or second installation) to improve the strength of the post / panel system. This reinforcement is for fences fitted with privacy systems up to 1.90 m in certain conditions.
- Compatible with:
 - Small-fold uncut panels: ARISTA, AXYLE® MS and CS
 - Flat panels: AXOR® Chic and AXIS® D (see the "Rigid Panels & Privacy Fencing" section).
 - Large-fold panels: AXIS® S, M, C
 - Barred railings: ELIXIR® TAO and PUR (see the "Railings & Decorative Sheet Metal" section).

QUICK AND EASY TO INSTALL

- Without fastening part.
- A single post for all configurations: start and end, intermediate section, corner.
- Installation in forward sequence with no accessories required.

SECURITY

- Impossible to dismantle once installed.

FEATURES



Embedded



Section:
69 x 45 mm



Base-plated



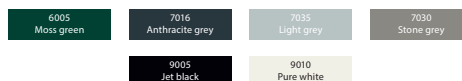
Lengths:
0.65 to 2.90 m



Angled welded plate

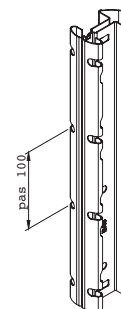
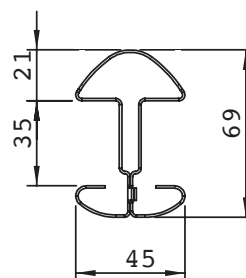


For panels without cut-outs and flat panels



Optional:

- Matt and textured finishes
- "Protect+" coating



PRIVATE HOMES



HOUSING COMPLEXES



PUBLIC AREAS



SERVICE SECTOR SITES





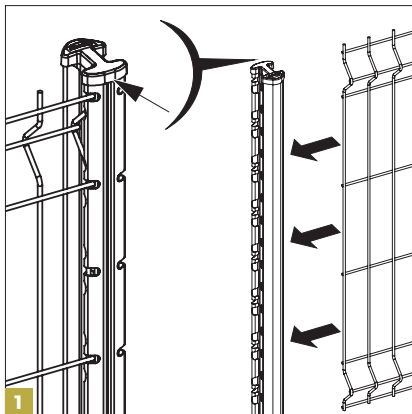
Combined with AXOR® PLUS / AXOR® Chic and AXIS® D, AXYLE® MS and CS posts depending on the type of installation (excluding privacy systems)

NOMINAL FENCE HEIGHT (m)	POST LENGTH (M)				
	LONG EMBEDDING (30 to 50 cm) ⁽¹⁾	SHORT EMBEDDING (20 to 40 cm) ⁽¹⁾	WELDED TO PLATE	ON SLEEVE PLATE	ON ANGLED WELDED PLATE
0.60	-		0.65	0.65	0.65
0.80	1.20	1.00	0.85	0.85	0.85
1.00	1.40	1.20	1.05	1.05	1.05
1.20	1.70	1.40	1.25	1.25	1.25
1.40	1.90	1.70	1.45	1.45	1.45
1.50	2.00	1.90	1.55	1.55	1.55
1.60	2.20	2.00	1.65	1.65	1.65
1.70	2.20	-	1.75	1.75	1.75
1.80	2.40		1.85	1.85	1.85
1.90	2.50		1.95	1.95	1.95
2.00	2.50		2.05	2.05	2.05
2.20	2.70		2.25	2.25	2.25
2.40	2.90	-	-	-	-

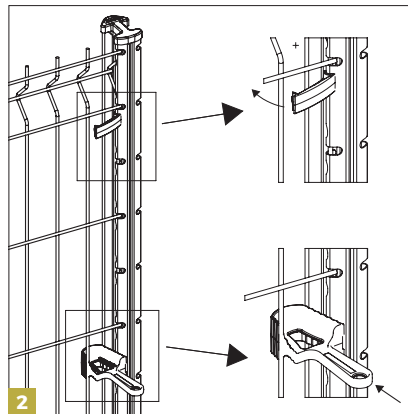
(1) For guidance only: to be adapted to soil and wall type as well as to the installation region.

INSTALLATION SYSTEM

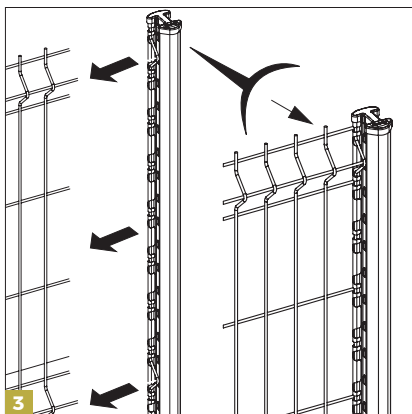
INSTALLATION IN FORWARD SEQUENCE



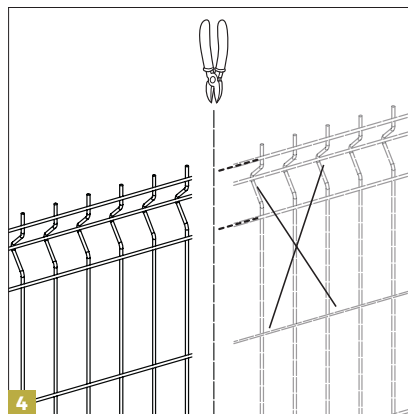
1 Embed the first post using quick set concrete. Slot the first panel into the grooves in the post provided for this purpose.



2 Place the panel wires in the post grooves. Position the **AXOR®** wedges to make it easier to position and tension the panels between the posts while the concrete sets. Also compatible with the DIRICKX universal wedge.



3 Slot the second post onto the panel by rotating it and fit the wedges. Repeat the operation and remove the wedges after the concrete has set.



4 The final panel sometimes needs to be cut to achieve the exact required length.

Scan this QR code to watch a video showing you how to install AXOR® PLUS

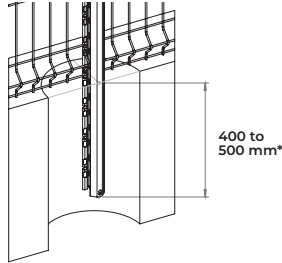




INSTALLATION CONFIGURATIONS

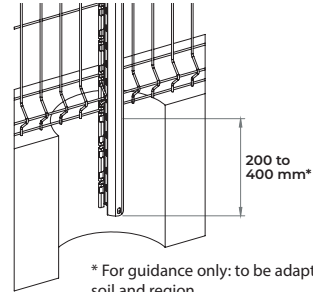
Long embedding

- Most common choice for standard terrain.



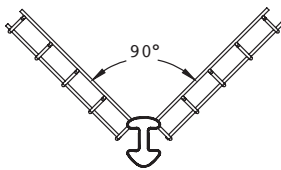
Short embedding

- Suitable for embedding in walls or stony ground.



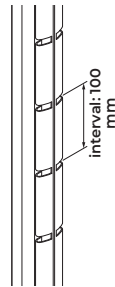
Angle

- Angle adjustments for +/- 90°.



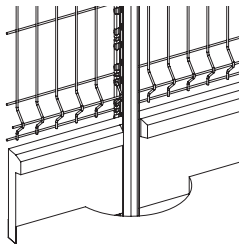
Steps

- Adjustment slots all along the post, at 100 mm intervals.



Installation with concrete gravel board

- Facilitates maintenance of site boundaries and allows for better ground-level protection (possibility of embedding).
- Inserts directly into the sides of the posts; without accessories.
- Use long embedding posts + board height (25 or 50 cm).



Installation with SOUBAX® steel base plate

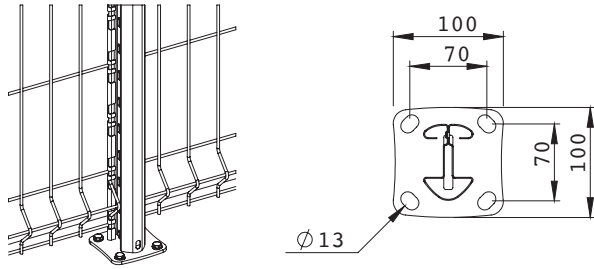
- Durable, stylish and easy to clean plate.
- Inserts directly into the sides of the posts; without accessories.
- Compatible plate:
 - AXOR® PLUS plate 2515 mm





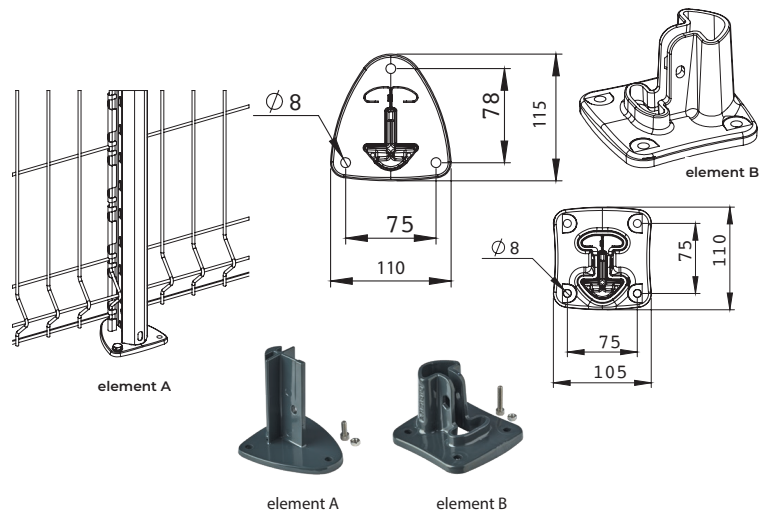
Installation with posts on welded plate

- Suitable for wall or ground installation.
- Avoids boring into concrete.



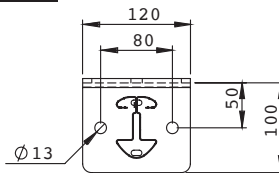
Installation on sleeve plate

- Aluminium plate suitable for installation on a wall* or on the ground for fences of up to 1 m above ground.
- * Depending on the type of wall.
- For privacy fencing systems use the two elements A and B
 - In region 1 and 2: 1.50 m in height for a 2 m panel (excluding category 0)
 - In region 1 and 2: 1.20 m in height for a 2.50 m panel (excluding category 0)
 - In region 3 and 4: Not recommended for privacy fencing systems



Installation on angled or L-shaped welded plates

- Suitable for thin walls on which sleeve plates or welded base plates would be too wide.
- Placement: L of the angled plate inside of the site*

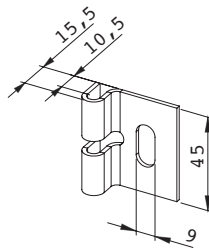


Fastening bracket

- Saves a post.
- Allows for assembly directly from a wall, a post or gate.

Sold in bags of 4 units.

- Compatible with panels with vertical wires up to 5 mm dia. maximum.



Installation with reinforcement

- Long embedding.
- Reinforces the post.
- Allows to fit a privacy fencing system (see page 109).



Note: any privacy accessories used with fences may potentially render the fence more susceptible to wind damage. Consult our installation recommendations on p. 109.