



A cost-effective alternative for controlling access to sites with moderate traffic volumes

INDUSTRIAL SLIDING GATES ESPACE

HOUSING COMPLEXES



PUBLIC AREAS



SERVICE SECTOR SITES



INDUSTRIAL & LOGISTICS SITES



CHOICE

- Operation: manual and motorised.

SIMPLICITY

- Easy to use and handle.
- For the motorised version: pre-wiring and tests performed in factory.

SECURITY

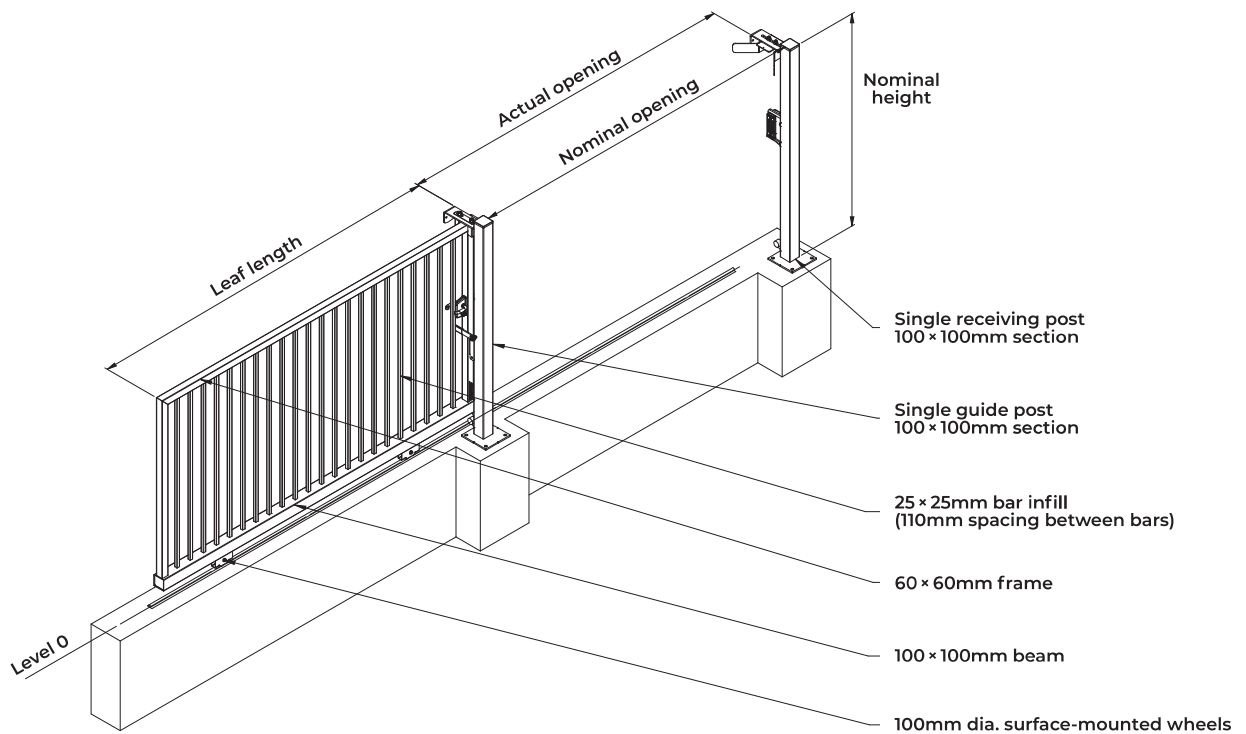
- Manual version: lock with European cylinder.
- Motorised version equipped with all low-voltage and low-consumption accessories: detection cells, active and inactive sensitive edges, flashing lights and area lighting.
- Surface-mounted LED lighting panels and flashing lights.

FEATURES

- Infill: non-overstanding 25 × 25mm square bars, 110mm intervals
- Frame: 60 × 60mm
- Beam: 100 × 100mm
- Guide post: 100 × 100mm
- Receiving post: 100 × 100mm
- Colours: Green 6005 ●, Grey 7016 ●, White 9010 ○
- Finish: zinc-epoxy + polyester



TECHNICAL FEATURES



NOMINAL HEIGHT (m): 1.50 1.80 2.00	NOMINAL OPENING (m)	3.00	4.00	5.00	6.00
	Actual opening (m)	2.85	3.85	4.85	5.85
	Manually operated gate leaf length (m)	3.21	4.29	5.24	6.32
	Motorised gate leaf length (m)	4.12	5.12	6.12	7.12

DRIVE MOTOR

- Travel speed 10m/min.
- Low-intensity usage, up to 60 cycles/day.
- Backup battery included.
- In the event of a security breach, for emergency procedures: key-operation (as an optional extra) and manual stoppage.

* See the "Warranty of fitness" paragraph in the "Guarantees, Standards & Regulations" section.

OPTIONS

- Motorised operation.
- Insert-mounted: allows civil engineering works to be prepared before gate installation.
- Fence fastening bracket.
- Ground marking.
- HGV cells.



Insert



Fence fastening bracket



Ground marking



HGV cells

CONTROL ACCESSORIES

SEE THE "ACCESS CONTROL" SECTION



A simple, high-performance, versatile gate for moderately intensive use



INDUSTRIAL CANTILEVER GATES ESPACE

HOUSING COMPLEXES



PUBLIC AREAS



SERVICE SECTOR SITES



INDUSTRIAL & LOGISTICS SITES



CHOICE

- Available in the most commonly requested opening widths, heights and colours.
- Operation: manual and motorised.

SIMPLICITY

- Easy to use and handle.
- For the motorised version: pre-wiring and tests performed in factory.

SECURITY

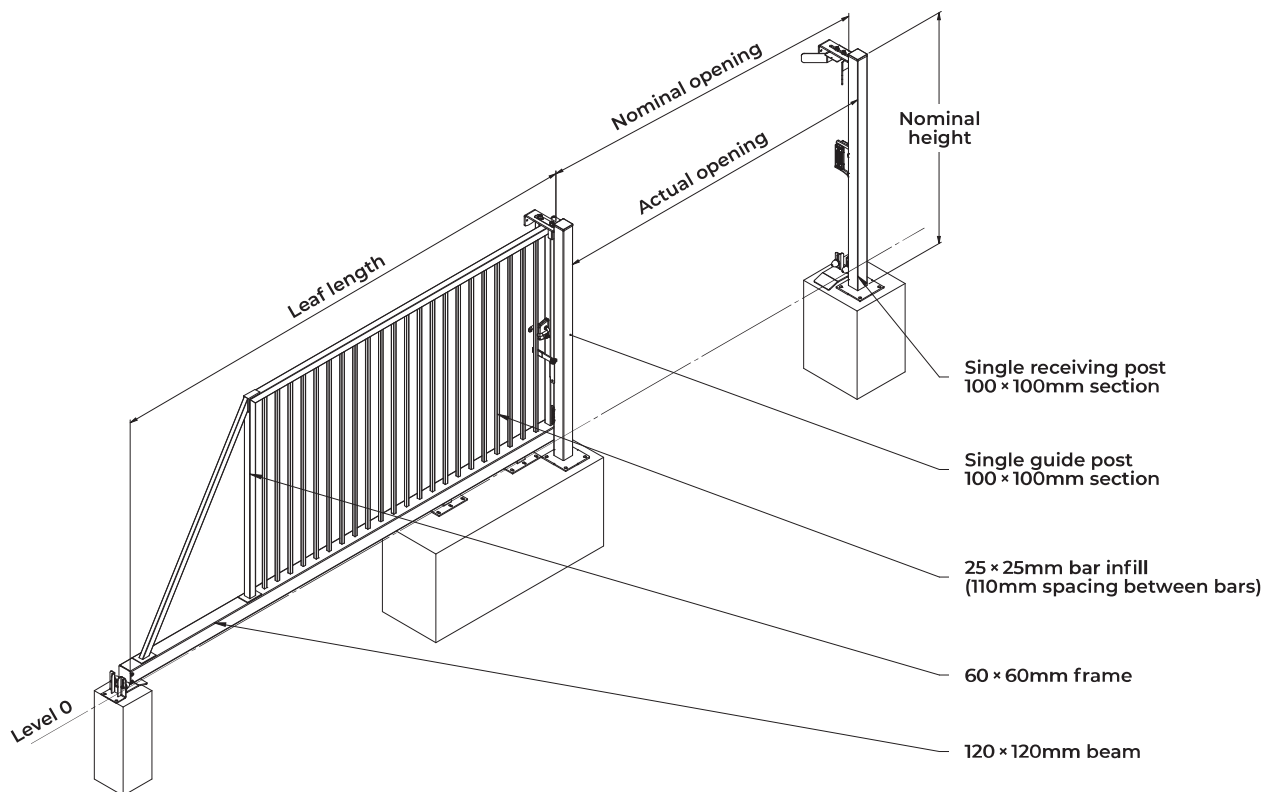
- Manual version: lock with European cylinder.
- Motorised version equipped with all low-voltage and low-consumption accessories: detection cells, active and inactive sensitive edges, flashing lights and area lighting.
- Surface-mounted LED lighting panels and flashing lights, on paved ground.

FEATURES

- Infill: non-overstanding 25 × 25mm square bars, 110mm intervals
- Frame: 60 × 60mm
- Beam: 120 × 120mm
- Single 100 × 100mm guide & receiv. post
- Single 100 × 100mm receiving post
- Colours: Green 6005 ●, Grey 7016 ●, White 9010 ○



TECHNICAL FEATURES



NOMINAL HEIGHTS: 1.50m, 1.80m, 2m	NOMINAL OPENING (m)	3.00	4.00	5.00	6.00
	Actual opening (m)	2.74	3.74	4.74	5.74
	Leaf length (m)	4.48	5.58	6.98	8.38

DRIVE MOTOR

- Low-intensity usage, up to 60 cycles/day.
- In the event of a security breach, for emergency procedures: key-operation (as an optional extra) and manual stoppage.



* See the "Warranty of fitness" paragraph in the "Guarantees, Standards & Regulations" section.

OPTIONS

- Motorised operation.
- Fence fastening bracket.
- Ground marking.
- HGV cells.



Fence fastening bracket



Ground marking



HGV cells

CONTROL ACCESSORIES:

SEE THE "ACCESS CONTROL" SECTION