



GARANTIE
DIRICKX
ANTI-CORROSION
10 ANS
POLYESTER

GARANTIE
DIRICKX
ANTI-CORROSION
PROTECT +

An original,
modern means
of protection
and enhancement

RAILINGS

EXALT®

DESIGN

- Modern and original.
- Inspired by nature to perfectly complement the surrounding environment.
- Irregular and randomly placed bars recalling a certain natural imperfection unlike a traditional fence.

CHOICE AND CUSTOMISATION

- 6 railing models.
- 2 post models:
- **ALLIX®** swing gates and matching guardrail for total uniformity on site.

PROTECTION

- Protection that is subtle and stylish.
- Screws are inaccessible after installation.

CUSTOMISATION

- **6 standard colours:** ●●●●●○
- Optional:
- 200 **RAL** colours.
- **Matt and textured finishes.**
- "Protect+" coating.

FEATURES

- Railings:
 - 50 × 30mm rail and round bars with diameters varying by model (20, 25 or 30mm dia.)
 - Caps not supplied, but available as an optional extra
 - Bar spacing 110mm max
 - Flat cut at top and bottom
- Post:
 - □ 60 × 60mm square post
 - ○ 60mm dia. round post
 - Drilled or undrilled
 - Embedded or base-plated
- Finish:
 - Railings and posts in Sendzimir galvanised steel with polyester coating
 - Connection accessory: stainless steel "U" + self-tapping screw + round or square polyester end cap (supplied with the post)

HOUSING COMPLEXES



PUBLIC AREAS



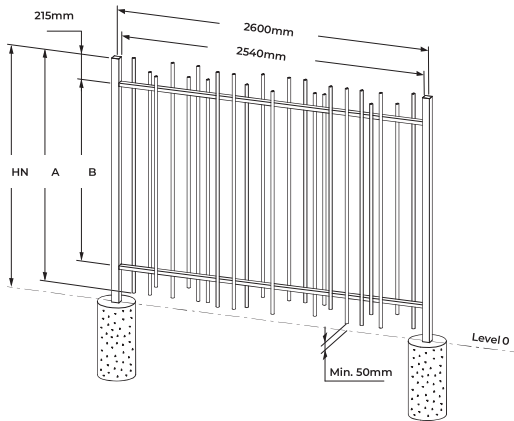
SERVICE SECTOR SITES





EXALT®: Origin, Natura, Urba and Delta

TECHNICAL FEATURES

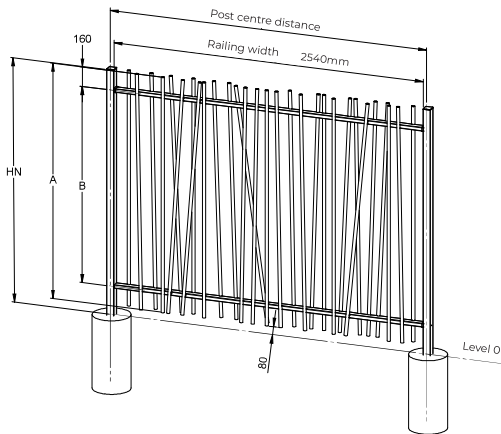


RAILINGS*				POST										
NOMINAL HEIGHT (m)	RAILING WIDTH (m)	POST CENTRE DIST. (mm)	RAIL (mm)	BARS				A BAR LENGTH (mm)	B RAIL CENTRE DIST. (mm)	POST SECTION (mm)	EMBEDDED	ON WELDED PLATE		
				EXALT® Origin	EXALT® Natura	EXALT® Urba	EXALT® Delta				LENGTH (m)			
1.00	2.54	Round bars: 2600	50×30	dia. 25	dia. 20	dia. 25	dia. 30	60×60 or dia. 60	950	520	1.50	1.00		
1.20									1150	720			2.00	1.50
1.50									1450	1020				
1.80		1750							1320					
2.00		1950							1520	2.50				
			2.70											

*Top and bottom overstanding bars

EXALT®: Oblic and K-ré

TECHNICAL FEATURES



RAILINGS*				POST										
NOMINAL HEIGHT (m)	RAILING WIDTH (m)	POST CENTRE DIST. (mm)	RAIL (mm)	BARS		A BAR LENGTH (mm)	B RAIL CENTRE DIST. (mm)	POST SECTION (mm)	EMBEDDED	ON WELDED PLATE				
				EXALT® Oblic	EXALT® K-ré				LENGTH (m)					
1.00	2.54	Round bars: 2600	50×30	ø 25	20×20	920	600	60×60 or dia. 60	1.50	1.00				
1.20											1120	800	2.00	1.20
1.50											1420	1100		
1.80		1720									1400			
2.00		1920									1600	2.50		

*Top and bottom overstanding bars



MODELS

EXALT® Origin

- Round bars of 25mm dia. and different lengths placed at irregular intervals (horizontally and vertically) either side of the cross rail.
- Bar spacing: 55 or 110mm.



EXALT® Natura

EXALT® Origin

+

Semi-curved bars at top and bottom.



EXALT® Urba

EXALT® Origin

+

Partial rails at top.



EXALT® Delta

EXALT® Origin

+

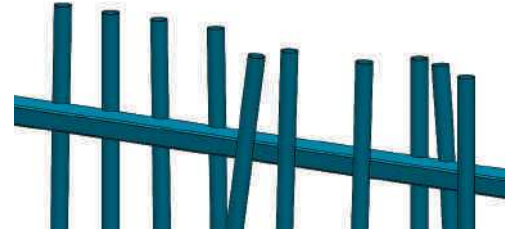
Bars with different diameters (20 – 25 – 30mm).



EXALT® Oblic



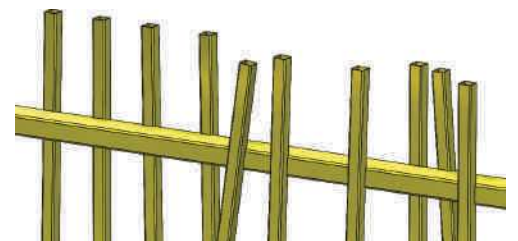
- 25mm dia. round, straight and slanted bars.



EXALT® K-ré



- Straight and slanted bars with a square cross-section of 20 x 20mm.





INSTALLATION PROCEDURE

Round or square post + Round or square end cap + Screw-on "U" piece + Slotted railings

Assembly is achieved by slotting the railings into the posts, installing in forward sequence

Round posts Square posts

INSTALLATION CONFIGURATIONS

Installation in forward sequence

Embedded
500 to 700mm depending on railing ht.

Base plate installation
4 × 13mm dia. 150mm 150mm

Step management*

**Undrilled posts are preferable.*

Angle management: round posts

90° angle 135° angle 180° angle

Angle management: square posts

90° angle Maximum 130° angle Minimum 140° angle 180° angle

RELATED PRODUCTS

ALLIX® cantilever, sliding and swing gates with **EXALT**® infill.
EXALT® guardrail and **LEXIE**® decorative sheet metal.



FINISHING TOUCHES

- Caps for round bars (20, 25 and 30mm dia.).
- Additional connection accessories.

